

1250AJP

Ultra Series Articulating Boom Lifts

Reach Specifications

| | |
|----------------------------------|-------------------------------------|
| Platform Height | 125 ft (38.1 m) |
| Horizontal Reach | 63 ft 2 in. (19.25 m) |
| Up and Over Height | 60 ft 6 in. (18.44 m) |
| Swing | 360° Continuous |
| Platform Capacity — Restricted | 1,000 lb (454 kg) |
| Platform Capacity — Unrestricted | 500 lb (227 kg) |
| Platform Rotator | 180° |
| JibPLUS ² | Length 8 ft (2.44 m) |
| | Horizontal Motion ¹ 125° |
| | Vertical Motion 130° (+75/-55) |

Dimensional Data

| | |
|---------------------|---|
| A. Platform Size | 36 x 96 in. (0.91 x 2.44 m) |
| B. Overall Width | Axles Retracted 8 ft 2 in. (2.49 m) |
| | Overall Width Axles Extended 12 ft 6 in. (3.81 m) |
| C. Tailswing | 3 ft (91 cm) |
| D. Stowed Height | 10 ft (3.05 m) |
| E. Overall Length | Jib Stowed 37 ft 7 in. (11.45 m) |
| | Overall Length Jib Deployed 47 ft 6 in. (14.48 m) |
| F. Wheel Base | 12 ft 6 in. (3.81 m) |
| G. Ground Clearance | Axle 25.5 in. (65 cm) |
| | Chassis 44,000 lb (19,958 kg) |

Chassis

| | |
|-------------------------------|--------------------------------------|
| Max Ground Bearing Pressure* | 100 psi (7.03 kg/cm ²) |
| Drive Speed | 3.25 mph (5.2 km/h) |
| Gradeability | 45% |
| Turning Radius (Inside) | Axles Retracted 14 ft 5 in. (4.39 m) |
| | Axles Extended 8 ft (2.44 m) |
| Turning Radius (Outside) | Axles Retracted 22 ft 6 in. (6.86 m) |
| | Axles Extended 19 ft 4 in. (5.89 m) |
| Crab Steer Ratio ³ | 1:1 |
| Axle Oscillation | 8 in. (20 cm) |
| Tires/Type | 445/50D710 Foam Filled |

Power Source

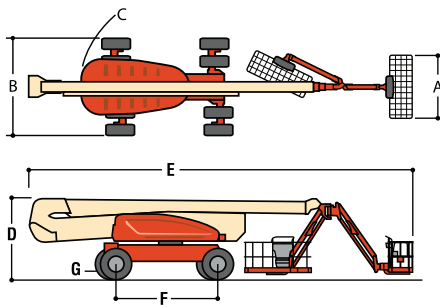
| | | |
|------------------------------|-----------------------------|-------------------|
| Diesel Engine | Deutz TCD2.9L4 Tier 4 Final | 74.2 hp (55.4 kW) |
| Fuel Tank Capacity | | 31 gal (117 L) |
| Hydraulic Reservoir | | 53 gal (200 L) |
| Auxiliary Power | | 12V DC |
| Generator Nominal/Continuous | | 7,500 Watt |

*Ground bearing pressure applies to standard tires.

1. Capacity is limited to 500 lb (227 kg) when JibPLUS is extended horizontally.

2. Certain options or country standards increase weight.

3. Ratio of forward travel to lateral travel.



Standard Features

Platform: 36 x 96 in. (0.91 x 2.44 m) Side Entry
 8 ft (2.44 m) JibPLUS² Boom
 Selectable Capacity Envelope
 180° Hydraulic Platform Rotator
 AC Receptacle in the Platform
 SkyPower[®] Package
 7500 Watt Generator
 · 240/120V Single Phase
 · 240V 3 Phase
 1/2 in. Air Line to Platform
 5 Degree Tilt Alarm/Indicator Light
 All Motion Alarm
 Swing-Out Engine Tray
 12V DC Auxiliary Power
 Hourmeter
 Control ADE[®] System
 Full-time 4WD
 3 Selectable Steering Modes
 Drive-out Extendible Axles
 Oscillating Axle
 Proportional Controls
 Gull-Wing Hoods
 445/50D710 Foam Filled Rim Protector Lug Tread Tires
 Platform Console Machine Status Light Panel*
 Lifting/Tie Down Lugs
 Engine Distress Warning/Shutdown — Selectable via JLG Analyzer

Available Options

Platform: 36 x 72 in. (0.91 x 1.83 m) Side Entry
 Fall-Arrest Platform: 36 x 96 in. (0.91 x 2.44 m) Side Entry
 Self-Closing Gate
 Light Package¹
 Flashing Beacon
 Soft-Touch System Platform 6 ft/8 ft (1.83 m/2.44 m)
 Clearsky (US and Canada only)
 Cold Weather Start²
 Hostile Environment Kit³
 Mesh to Top Rail
 Operator Tool Tray
 1. Includes platform mounted work lights and drive/backup lights.
 2. Includes glow plugs, battery heater and oil tank heater.
 3. Includes console cover, boom wipers and cylinder bellows.

Accessory Packages

SkyWelder[®]
 SkyCutter[®]
 SkyGlazier[®]
 Nite Bright[®]
 Pipe Racks

* Provides indicator lights at platform control console for system distress, fuel level, low fuel, 5 degree tilt light and foot switch status.

