

S1930

Distributed By:

One Source
RENTALS • SALES • SERVICE

www.onesourcerental.com

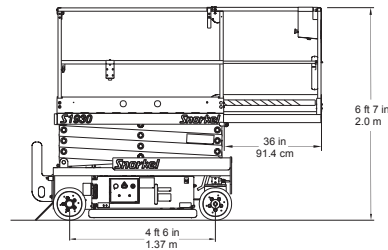
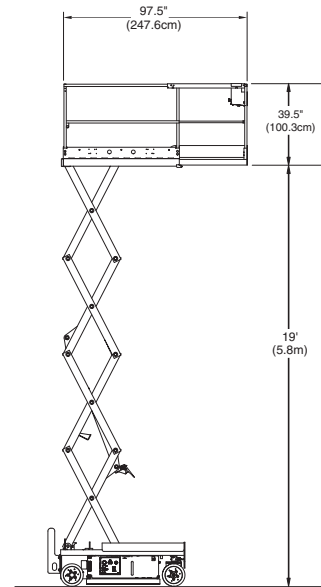


Slab
Scissor

Snorkel

www.snorkelusa.com

Snorkel S1930	Platform	
	Height.....	19' (5.8 m)
	Size.....	29" x 64" (74 cm x 163 cm)
	Rollout Extension.....	36" (91.4 cm)
	Platform Length – extended.....	97.5" (247.6 cm)
	Capacity.....	500 lbs. (227 kg)
	Capacity on Rollout Extension.....	250 lbs. (113.3 kg)
	Machine Dimensions	
	Overall Stowed Height (to Guardrails).....	79" (201 cm)
	Overall Width.....	30" (76.2 cm)
	Overall Length.....	66" (168 cm)
	Weight.....	3,040 lbs. (1,379 kg)
	Ground clearance	
	At machine center	2 1/2" (6.3 cm)
	Pothole protection deployed	3/4" (1.9 cm)
	Performance	
	Tire size (Solid Rubber).....	12" x 4" (40.6 cm x 12.7 cm)
	Drive speed – Stowed.....	2.5 mph (4 km/h)
	Drive speed – Raised.....	0.5 mph (0.8 km/h)
Electrical system.....	24 volts	
Batteries.....	220 amp-hr	
Charger.....	19 amp	
Maximum drive height.....	19' (5.8 m)	
Turning radius outside.....	64 1/2" (164 cm)	
Turning radius inside.....	5" (12.7 cm)	



Standard Features

- Pothole Protection System
- Level Sensor
- Joystick Control on removable console
- Two wheel parking brakes
- Driveable at full height
- Center pivot-type steering
- Fully proportioned drive/lift
- Dual wheel drive system
- Drive motion alarm
- Swing-out trays
- Non-marking tires
- Fork lift loadable from 3 sides
- 125 volt GFCI AC outlet at platform
- Scissor arm safety support
- 3' roll-out platform extension

Options

- Horn
- Flashing Light
- Battery Condition Indicator
- Lanyard Anchors
- Key Switch
- Swing Gate
- AC Generator

DANGER: Models described in this brochure are NON-INSULATED and do not provide electrocution protection from contact with or close proximity to energized conductors which is pointed out on decals and placards attached to the machine. Only qualified and trained operators are to be authorized to use and operate a work platform. Aerial work platforms must be elevated only on firm, level surface. Products in this brochure comply with applicable ANSI Standards. This literature is for illustrative purposes only. Consult Operating Maintenance and Parts Manuals for proper procedures. Specifications may vary and are subject to change without notice or obligation.

Manufacturing Plant

2009 Roseport Road
Elwood, Kansas 66024
800-255-0317
785-989-3000
785-989-3070 Fax

Australia

26 Redfern Road
Wetheril Park NSW
2164 Australia
(02) 9725 4000
(02) 9609 3057 Fax