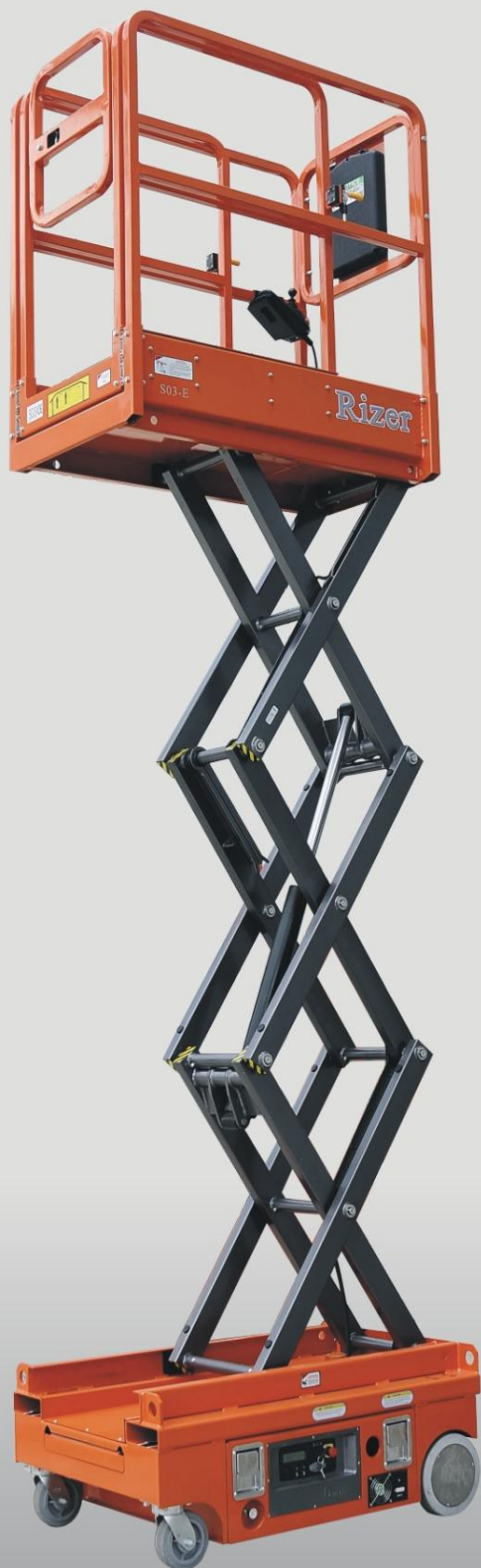




Dingli Australia



www.dingliaustralia.com.au



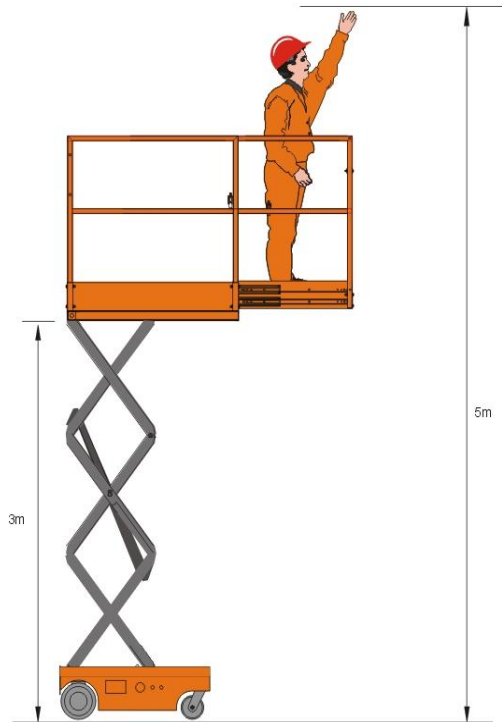
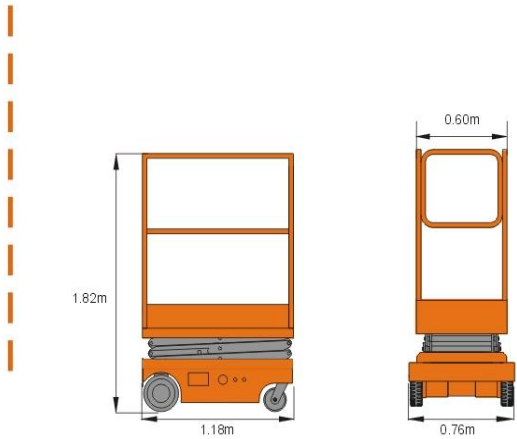
Rizer

S03-E

ELECTRIC SCISSOR LIFTS

Rizer

S03-E



	S.W.L	240 kg/529lb
--	--------------	--------------

	Working height	5.00m/16ft4in
	Platform floor height	3.00m/9ft10in

	Overall length	1.18m/3ft10in
	Overall width	0.76m/2ft6in
	Overall height	1.82m/5ft11in
	Platform size	1.17X0.60m/3ft10inx1ft11in
	Ground clearance	0.06m/2.3in
	Wheelbase	0.99m/3ft3in
	Turning radius	0

	Drive motors	2X24VDC/0.4kw
	Lifting motor	24VDC/0.8kw

	Travel speed	
	Stowed	4 Km/h 2.5miles/h
	Raised	0.8 Km/h 0.5miles/h
	Up/Down speed	28/41 sec

	Batteries	2X12V/95Ah
	Integrated charger	24V/12A

	Gradeability	30%
--	---------------------	-----

	Tyres	
	Drive motors	φ 230X80mm

	Weight	495kg/1091lb
--	---------------	--------------

Standard equipment

- Proportional controls
- Automatic pothole protection
- Self-lock gate on platform
- Drivable at full height
- Non marking tyres
- 2WD
- Automatic brakes
- Emergency lowering system
- Emergency stop buttons
- Cylinder holding valve
- Onboard diagnostic system
- Tilt sensor with alarm
- All motion alarm
- Horn
- Hour meter
- Safety brackets
- Forklift pockets
- Extended platform
- Charger protection
- Flashing beacon

